



NPTF/Inch Tube Fittings

How to Order

INB 109 – 104 – 022

Fitting Series

INB = NPTF/Inch Table
(Brass Release Ring)
*IN = NPTF/Inch Tube

Fitting Style

100 = Union
101 = Bulkhead Union
103 = Male Connector
105 = Female Connector
106 = Union Elbow
107 = Fixed Elbow
109 = Swivel Elbow
109E = Extended Swivel Elbow
110 = Union Tee
114 = Swivel Branch Tee
116 = Swivel Run Tee
*118 = Plug
*119 = Double Male Union
*120 = Stem Adapter
121 = Reducer
122 = Single Banjo
123 = Double Banjo
*124 = Single Manifold
*125 = Double Manifold
131 = Union Y
132 = Male Y

Options

(Blank) = BUNA-N O-Ring
F = Viton "O" Ring

Thread Size

000 = No Thread
036 = 10-32 UNF
020 = 1/8 NPTF
021 = 1/4 NPTF
022 = 3/8 NPTF
023 = 1/2 NPTF

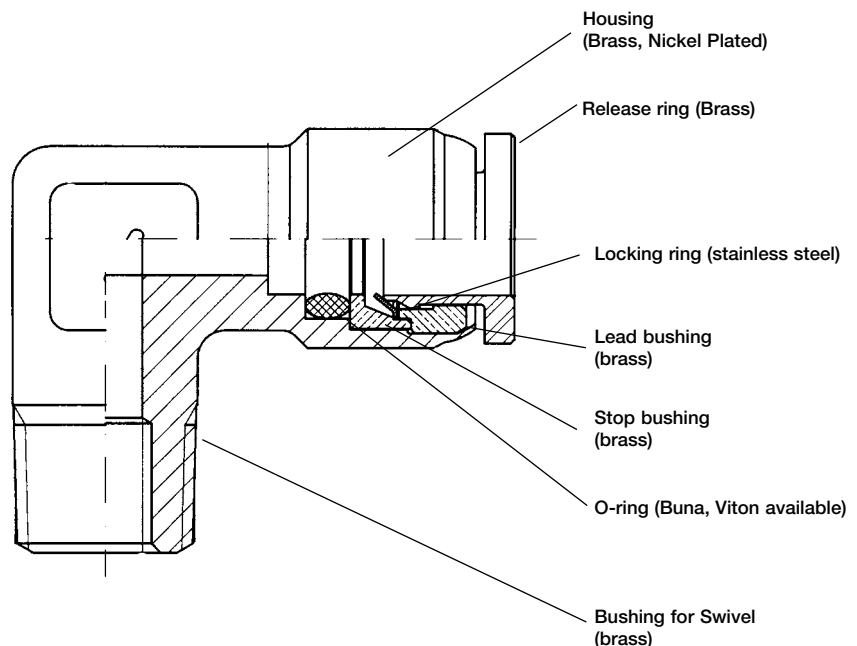
Tube Size

108 = 1/8"
532 = 5/32"
104 = 1/4"
516 = 5/16"
308 = 3/8"
102 = 1/2"
000 = No Tube

* See Fitting Style Charts on pgs 9-14 for available Tube and Thread Configurations

*Fittings with asterisk only available in "IN" Fitting Series.
All other styles only available in "INB" Fitting Series

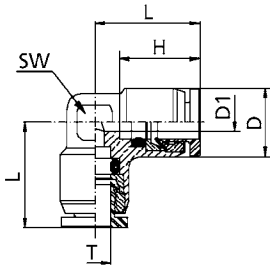
- Pressure Rating to 265 psi
- Temperature range: -20°F to +176°F (BUNA N O-ring)
+230°F (Viton O-ring)
- Push-in fittings with NPTF Threads
- Teflon thread sealant
- Tube diameter: 1/8" to 1/2"
- Thread size: 10-32 UNF to 1/2 NPTF





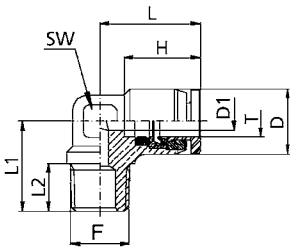
NPTF/Inch Tube Fittings

INB106 Union Elbow



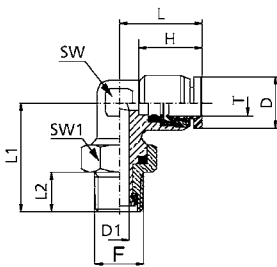
Brass Release Ring	INB106	Tube Diameter (T)	D	D1	L	H	SW
INB	106-108-000	1/8	0.394	0.094	0.638	0.472	0.354
INB	106-532-000	5/32	0.394	0.118	0.657	0.492	0.354
INB	106-104-000	1/4	0.472	0.157	0.740	0.531	0.433
INB	106-516-000	5/16	0.591	0.236	0.858	0.630	0.551
INB	106-308-000	3/8	0.709	0.295	1.004	0.669	0.630
INB	106-102-000	1/2	0.827	0.413	1.161	0.748	0.685

INB107 Fixed Elbow



Brass Release Ring	INB107	Tube Diameter (T)	Thread (F)	D	D1	L	L1	L2	H	SW
INB	107-532-020	5/32	1/8 NPTF	0.394	0.118	0.657	0.650	0.374	0.492	0.354
INB	107-532-021	5/32	1/4 NPTF	0.394	0.118	0.657	0.787	0.512	0.492	0.354
INB	107-104-020	1/4	1/8 NPTF	0.472	0.157	0.740	0.693	0.374	0.531	0.433
INB	107-104-021	1/4	1/4 NPTF	0.472	0.157	0.740	0.831	0.512	0.531	0.433
INB	107-308-021	3/8	1/4 NPTF	0.709	0.295	1.004	0.945	0.512	0.685	0.630
INB	107-308-022	3/8	3/8 NPTF	0.709	0.295	1.004	1.945	0.512	0.685	0.630

INB109 Swivel Elbow



Brass Release Ring	INB109	Tube Diameter (T)	Thread (F)	D	D1	L	L1	L2	H	SW	SW1
INB	109-108-036	1/8	10-32 UNF	0.394	0.087	0.638	0.630	0.165	0.472	0.354	0.354
INB	109-108-020	1/8	1/8 NPTF	0.394	0.157	0.638	0.874	0.374	0.472	0.354	0.512
INB	109-108-021	1/8	1/4 NPTF	0.394	0.157	0.638	1.008	0.512	0.472	0.354	0.591
INB	109-532-036	5/32	10-32 UNF	0.394	0.087	0.657	0.630	0.165	0.492	0.354	0.354
INB	109-532-020	5/32	1/8 NPTF	0.394	0.157	1.657	0.874	0.374	0.492	0.354	0.512
INB	109-532-021	5/32	1/4 NPTF	0.394	0.157	1.657	1.008	0.512	0.492	0.354	0.591
INB	109-104-036	1/4	10-32 UNF	0.472	0.087	0.740	0.709	0.165	0.531	0.433	0.354
INB	109-104-020	1/4	1/8 NPTF	0.472	0.157	0.740	0.906	0.374	0.531	0.433	0.512
INB	109-104-021	1/4	1/4 NPTF	0.472	0.236	0.740	1.031	0.512	0.531	0.433	0.591
INB	109-104-022	1/4	3/8 NPTF	0.472	0.236	0.740	1.071	0.512	0.531	0.433	0.709
INB	109-516-020	5/16	1/8 NPTF	0.591	0.157	0.925	0.984	0.374	0.630	0.551	0.512
INB	109-516-021	5/16	1/4 NPTF	0.591	0.236	0.925	1.122	0.512	0.630	0.551	0.591
INB	109-516-022	5/16	3/8 NPTF	0.591	0.315	0.925	1.181	0.512	0.630	0.551	0.709
INB	109-308-020	3/8	1/8 NPTF	0.709	0.157	1.043	1.043	0.374	0.669	0.630	0.512
INB	109-308-021	3/8	1/4 NPTF	0.709	0.236	1.043	1.181	0.512	0.669	0.630	0.591
INB	109-308-022	3/8	3/8 NPTF	0.709	0.315	1.043	1.220	0.512	0.669	0.630	0.709
INB	109-308-023	3/8	1/2 NPTF	0.709	0.315	1.043	1.358	0.709	0.669	0.630	0.866
INB	109-102-021	1/2	1/4 NPTF	0.827	0.236	1.181	1.299	0.512	0.748	0.685	0.591
INB	109-102-022	1/2	3/8 NPTF	0.827	0.315	1.181	1.299	0.512	0.748	0.685	0.709
INB	109-102-023	1/2	1/2 NPTF	0.827	0.315	1.181	1.476	0.709	0.748	0.685	0.866