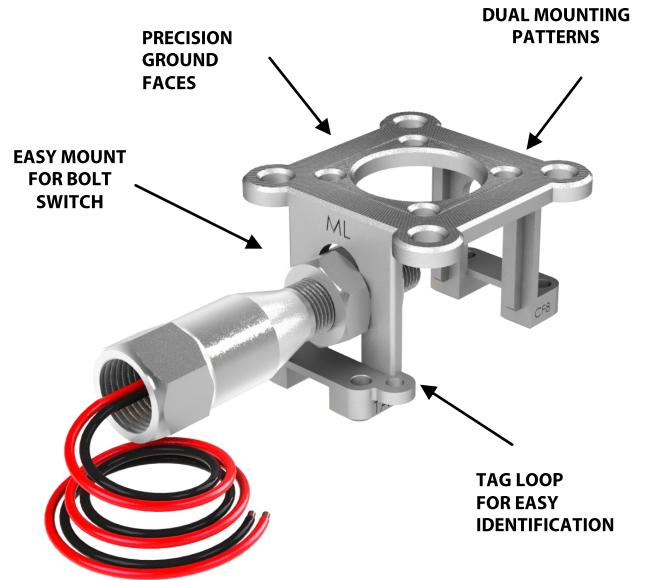


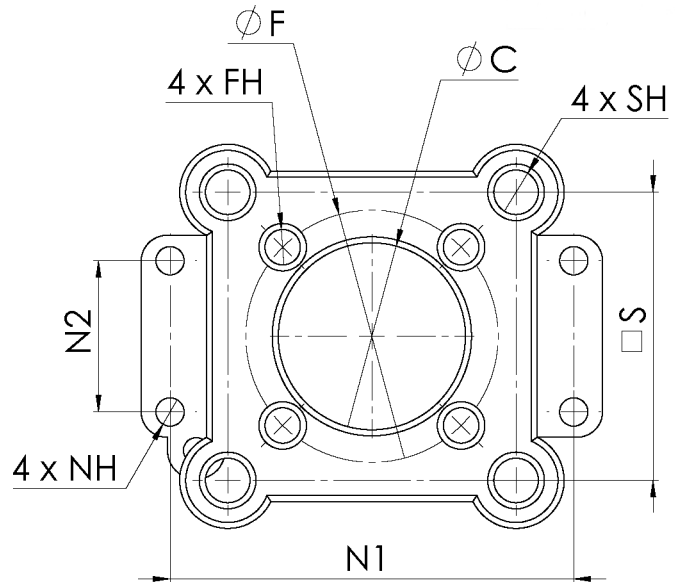
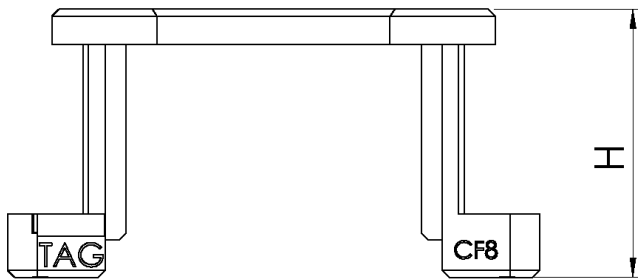
# AV MAB-SL SERIES

## Actuator Accessory/Mounting Kit



### Features & Benefits

- Limit Switch Positioner Brackets NAMUR patterns 30x80x20 and 30x80x30 with more to come, designed to work with most limit switch brands
- CF8 (304) stainless steel, heavy duty investment cast design
- Precision ground faces for accurate mounting
- Bolt switch mounting capability and tag clip on limit switch brackets



SIZE	NAMUR	H	N1	N2	NH	S	SH	F	FH	C
MAB-SL1	30X80X20	1.77	3.15	1.18	0.22	2.25	0.35	1.97	0.28	1.46
MAB-SL2	30X80X30	2.17	3.15	1.18	0.22	2.25	0.35	1.97	0.28	1.46