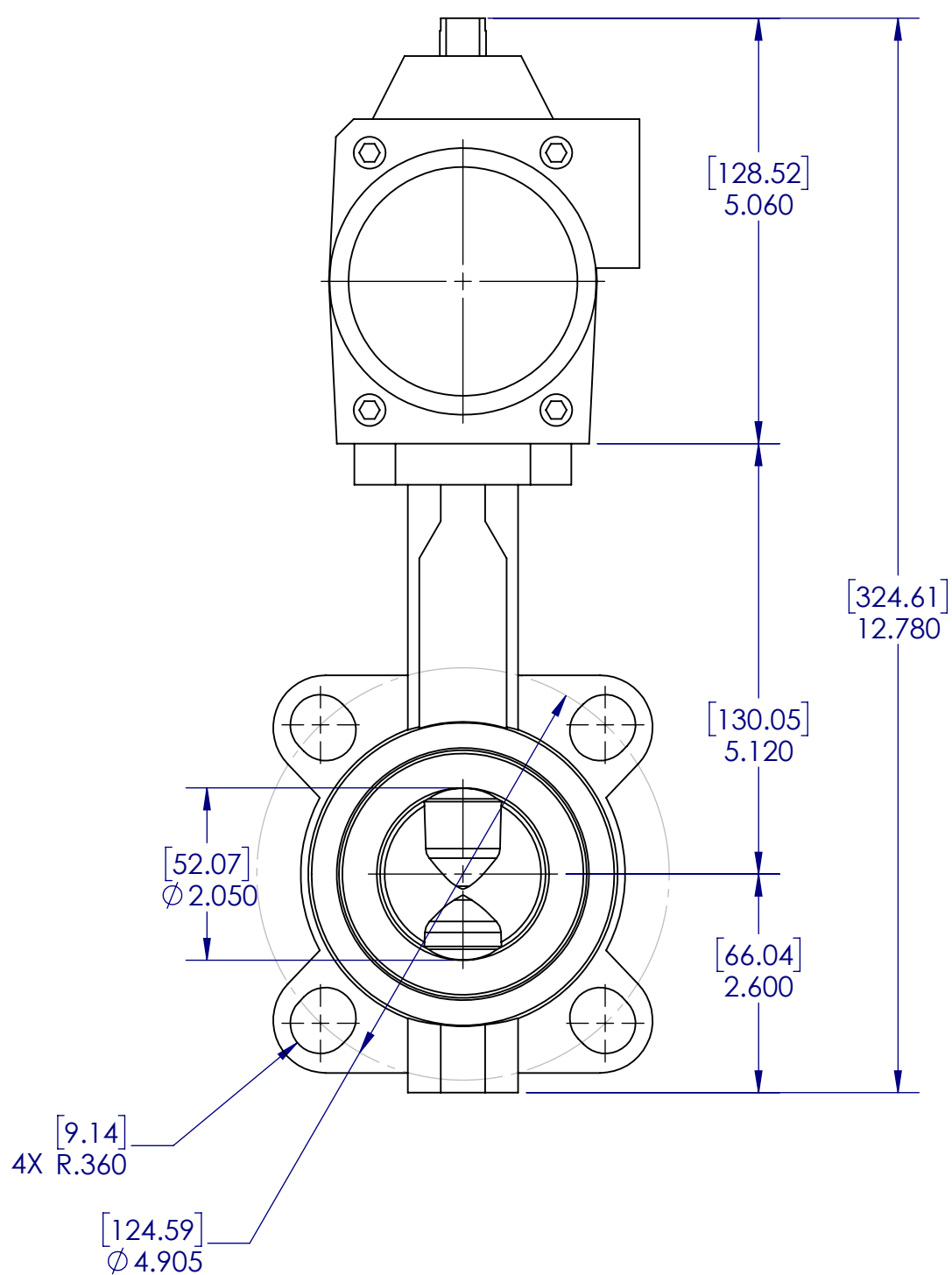
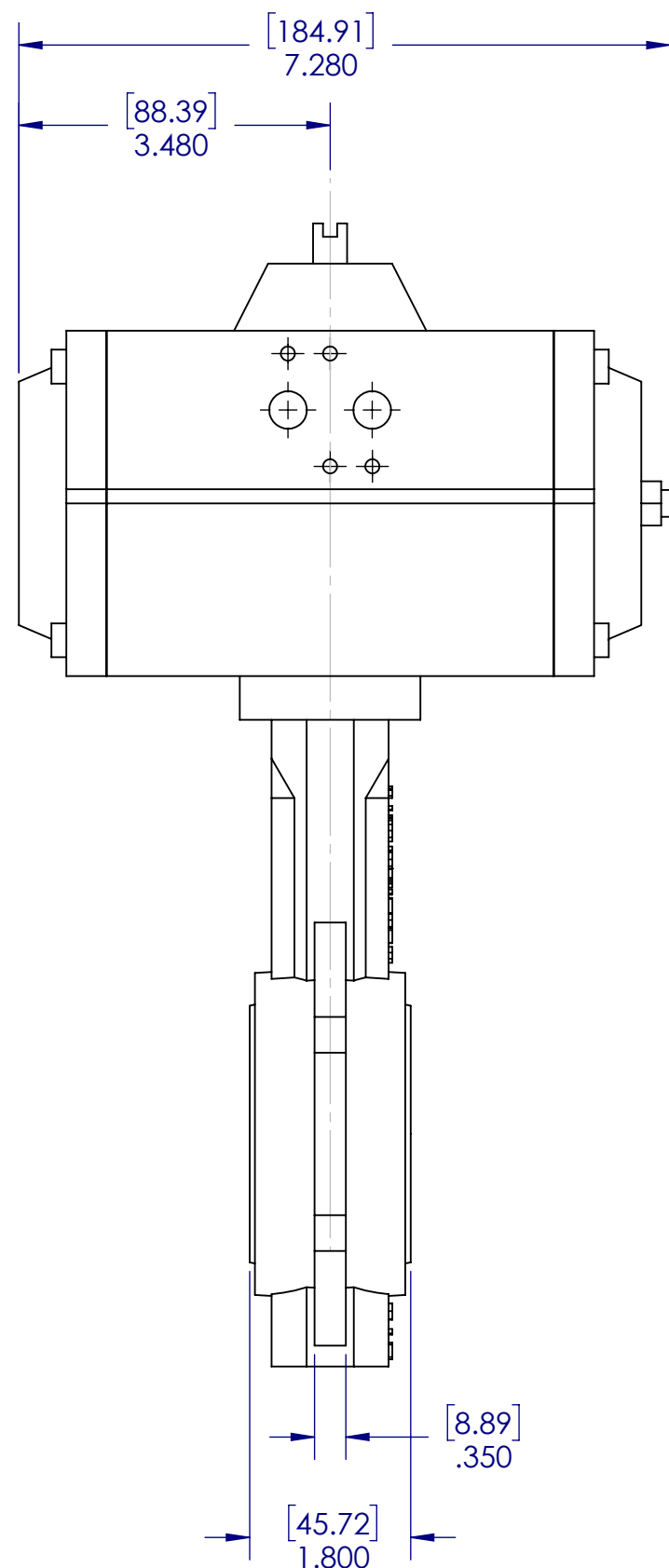
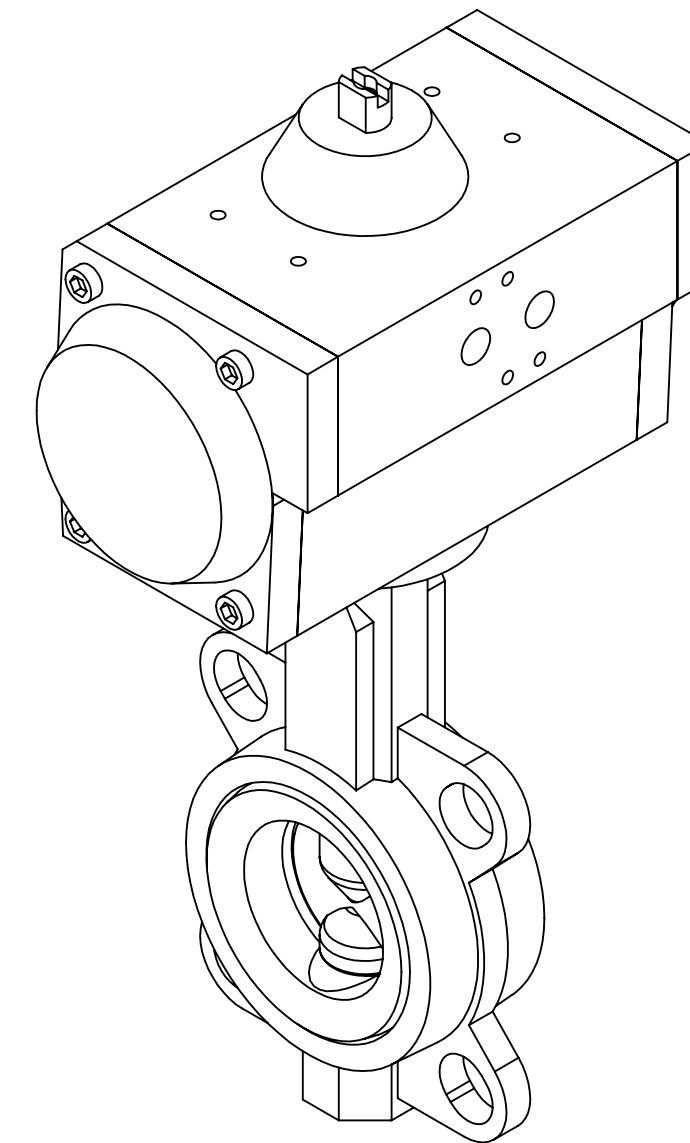
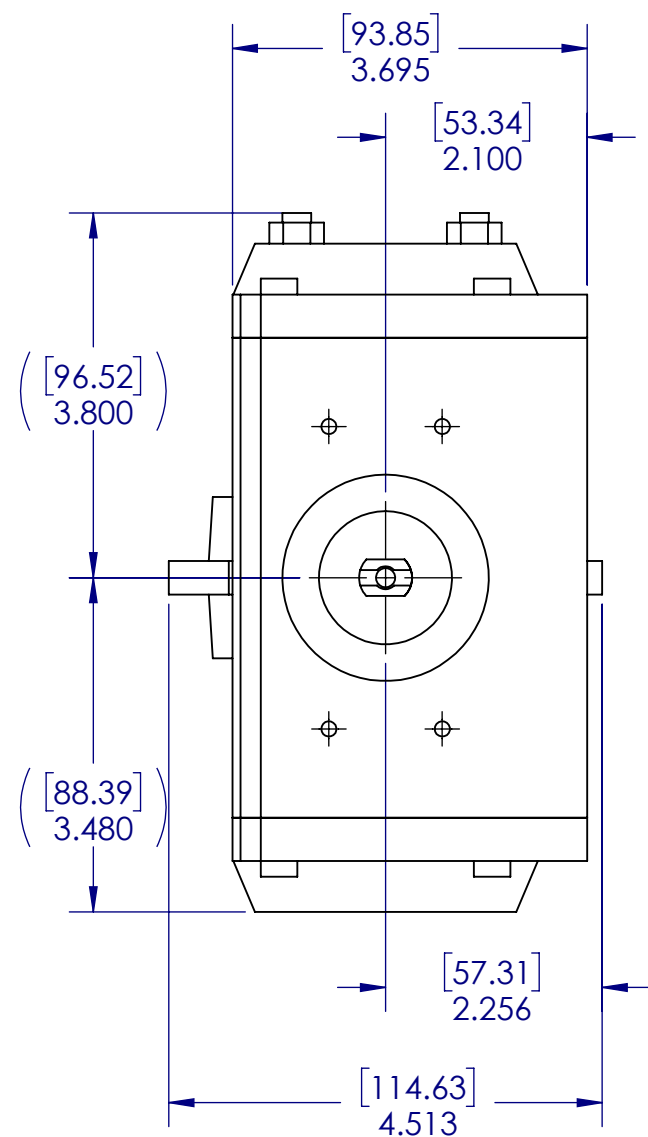


4

3

2

1



ITEM NO.	PART NUMBER	DESCRIPTION	QTY.
1	AV-020-50-B	2" Wafer Butterfly Valve	1
2	AV21-S4	ACTUATOR, AV21-S4	1

UNLESS OTHERWISE SPECIFIED:		NAME	DATE
DIMENSIONS ARE IN INCHES		Gene S	4/3/2016
TOLERANCES:			
FRACTIONAL ±			
ANGULAR: MACH ± BEND ±			
TWO PLACE DECIMAL ±			
THREE PLACE DECIMAL ±			
INTERPRET GEOMETRIC TOLERANCING PER:		Q.A.	
MATERIAL		COMMENTS:	
FINISH			
NEXT ASSY	USED ON		
APPLICATION		DO NOT SCALE DRAWING	

MINNEAPOLIS, MN
AVCS
 www.avcsco.com

TITLE:
**2.0" WAFER VALVE W/
 AV21-S4 ACTUATOR**

SIZE DWG. NO. REV
C AV-020-50-AV21-S4 **0**

SCALE: 1:4 WEIGHT: 3.90 SHEET 1 OF 1

PROPRIETARY AND CONFIDENTIAL
 THE INFORMATION CONTAINED IN THIS DRAWING IS THE SOLE PROPERTY OF -INSERT COMPANY NAME HERE-. ANY REPRODUCTION IN PART OR AS A WHOLE WITHOUT THE WRITTEN PERMISSION OF -INSERT COMPANY NAME HERE- IS PROHIBITED.

4

3

2

1

D

D

C

C

B

B

A

A