

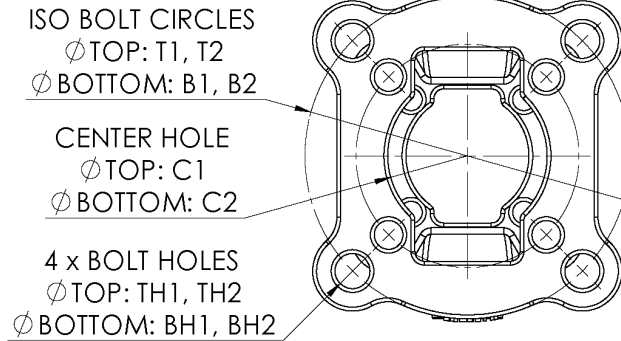
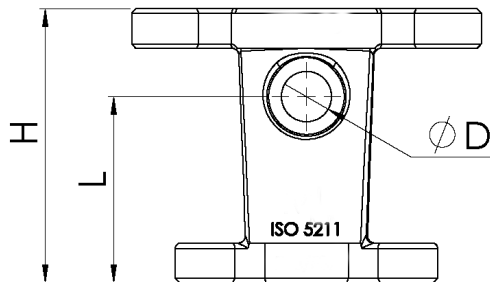
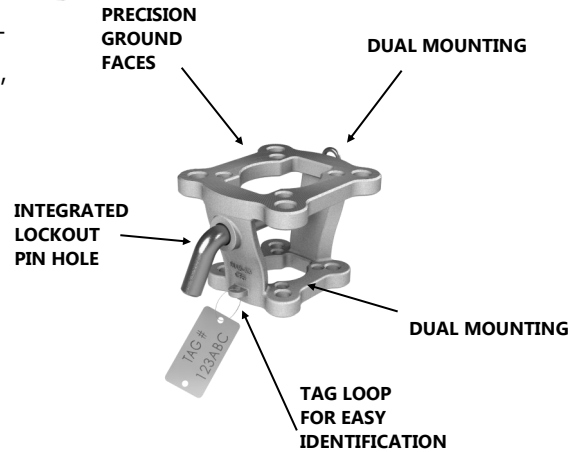
AV MAB-S SERIES Valve Actuator Mounting Kits



AVCS MAB brackets conform to ISO 5211 standards and are available with multiple combinations of ISO patterns (e.g. F03, F04, F05, F07, F10, F12), and 3.25". Stainless steel material for compatibility in corrosive environments.

Features & Benefits

- Valve brackets ISO 5211 Standard 6 sizes available
- CF8 (304) stainless steel, heavy duty investment cast design
- Precision ground faces for accurate mounting
- Integrated lockout hole and tag clip



SIZE	H	L	D	TOP ISO	T1	TH 1	T2	TH2	BOTTOM ISO	B1	BH1	B2	BH2	B3	BH3	C1	C2
MAB-S1	1.57	1.11	0.37	F04/F05	1.65	0.24	1.97	0.30	F03/F04	1.42	0.24	1.65	0.24	—	—	1.02	1.02
MAB-S2	1.97	1.43	0.43	F05/F07	1.97	0.30	2.76	0.40	F04/F05	1.65	0.26	1.97	0.30	—	—	1.45	1.20
MAB-S2B	1.97	1.43	0.43	F05/F07	1.97	0.30	2.76	0.40	F05/F07	1.97	0.30	2.76	0.40	—	—	1.45	1.45
MAB-S3	2.95	1.99	0.55	F07/F10	2.76	0.35	4.02	0.43	F05/F07	1.97	0.28	2.76	0.35	—	—	1.97	1.52
MAB-S3B	2.95	1.99	0.55	F07/F10	2.76	0.35	4.02	0.43	F07/F10/3.25"	2.76	0.35	4.02	0.43	3.25	0.43	1.97	1.97
MAB-S4	3.15	2.30	0.68	F10/F12	4.02	0.44	4.92	0.51	F10	4.02	0.44	—	—	—	—	3.00	2.75