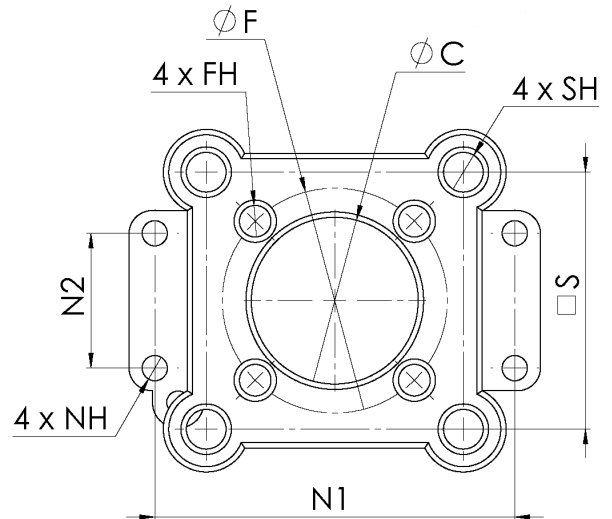
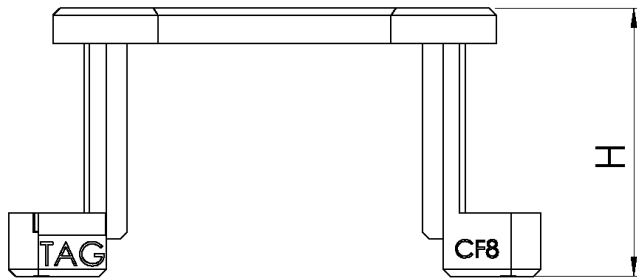
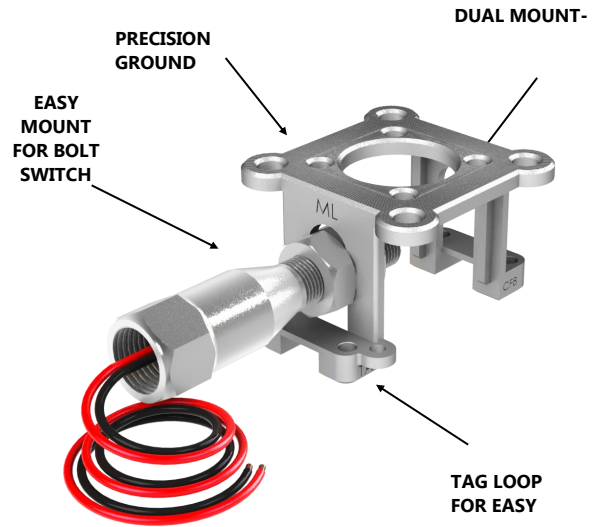


AV MAB-SL SERIES

Actuator Accessory/Mounting Kit

Features & Benefits

- Limit Switch Positioner Brackets NAMUR patterns
- Designed to work with most limit switch and positioner brands
- CF8 (304) stainless steel, heavy duty investment cast design
- Precision ground faces for accurate mounting
- Bolt switch mounting capability and tag clip on limit switch brackets



SIZE	NAMUR	H	N1	N2	NH	S	SH	F	FH	C
MAB-SL1	30X80X20	1.77	3.15	1.18	0.22	2.25	0.35	1.97	0.28	1.46
MAB-SL2	30X80X30	2.17	3.15	1.18	0.22	2.25	0.35	1.97	0.28	1.46
MAB-SL5	30X130X30	2.17	5.12	1.18	0.22	2.25	0.35	1.97	0.28	1.46
MAB-SL6	30X130X50	2.95	5.12	1.18	0.22	2.25	0.35	1.97	0.28	1.46