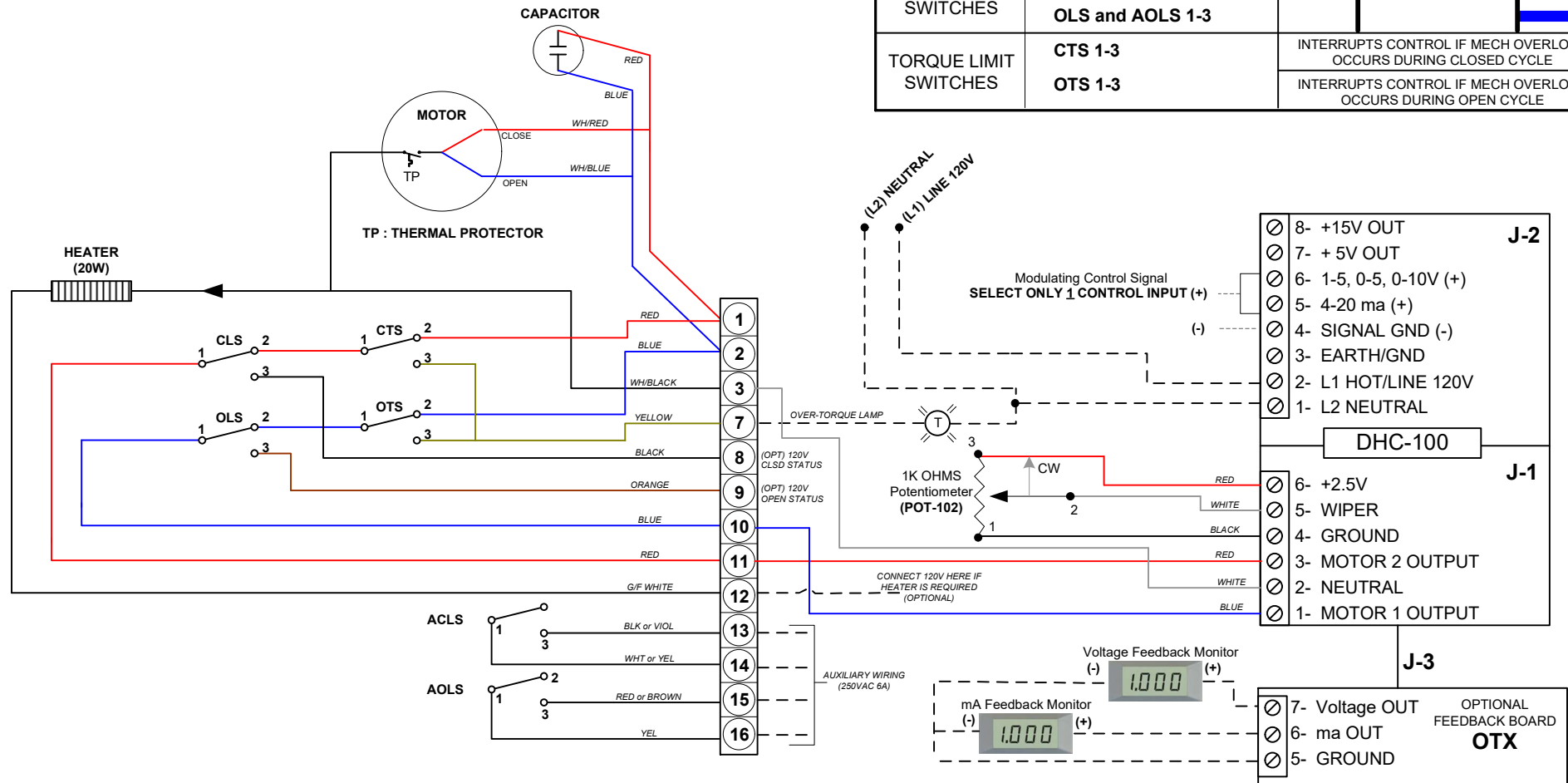


ACTUATOR POSITION

		CLOSED	MOVING	OPEN
CLOSED LIMIT SWITCHES	CLS and ACLS 1-2			
	CLS and ACLS 1-3			
OPEN LIMIT SWITCHES	OLS and AOLS1-2			
	OLS and AOLS 1-3			
TORQUE LIMIT SWITCHES	CTS 1-3	INTERRUPTS CONTROL IF MECH OVERLOAD OCCURS DURING CLOSED CYCLE		
	OTS 1-3	INTERRUPTS CONTROL IF MECH OVERLOAD OCCURS DURING OPEN CYCLE		



ACTUATOR SHOWN IN MID TRAVEL POSITION

----- CUSTOMER/FIELD WIRING

**AVCS**  
automated valve component  
& specialties

AVCS.CO.COM  
PH 612-436-8350

TITLE  
**AVE015 thru AVE250 ELECTRIC ACTUATOR  
120 VOLT - Modulating Service  
DHC-100 Hi Resolution Board**

BY JS-6/2017

DWG NO WD2120M-1