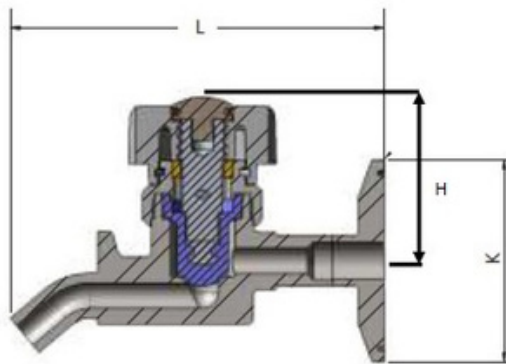
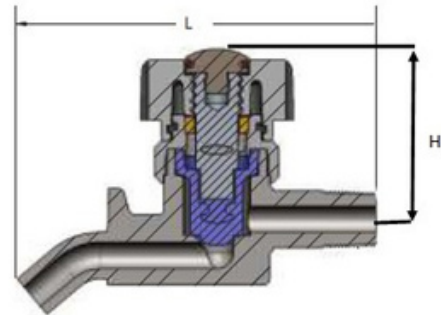


SSV Sampling Valve

- 316SS
- Seat Cup - FDA approved EPDM
- Stainless Steel Cap with Red Silicone O-Ring indicator
- 150 psig Max Operating Pressure
- Positive Travel Stop
- CIP Compatible to 250°F



TC - Tri-Clamp Style

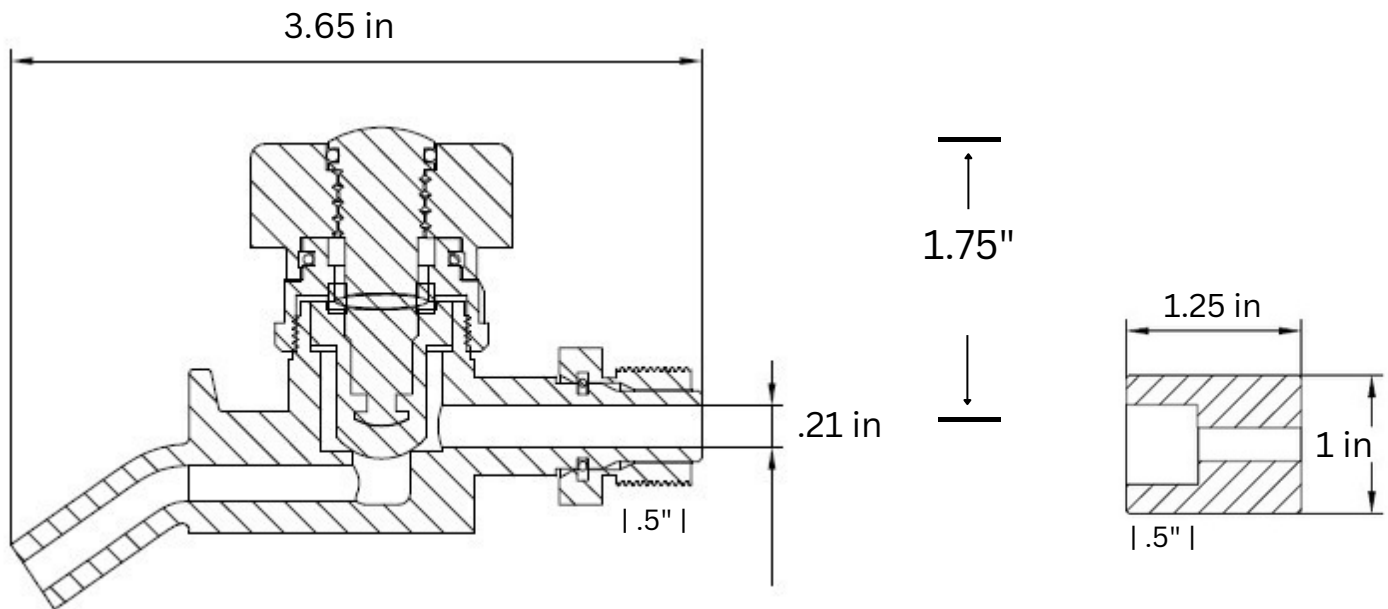


NPT - Male NPT Style

VALVE DIMENSIONS					
Model No	Size	Process Conn	H	K	L
SSV008NPT	1/4"	MNPT	1.75	NA	3.65"
SSV015TC	1/2"	Tri-Clamp	1.75	.985"	3.65"
SSV040TC	1 1/2"	Tri-Clamp	1.75	1.98"	3.65"
SSV050TC	2"	Tri-Clamp	1.75	2.52"	3.65"

SSV Sampling Valve

Model No. SSV100BT



Weld-in with
Bacteria Proof Thread
Food Grade EPDM Gasket

Weld Adapter